

Standard Preparation 500 mm Work Table with Upstand

ITEM # _____

MODEL # _____

NAME # _____

SIS # _____

AIA # _____

**133227 (TG500MHBN)**Work table with 100mm
upstand, 500 mm

Short Form Specification

Item No. _____

The 50mm high worktop in 304 AISI stainless steel, 1mm in thickness, has upturned edges and incorporates a layer of sound deadening, waterproof and fireproof material. Integral radiused rear upstand, h=100mm. Square section legs 40x40mm on 1" height-adjustable feet in 304 AISI stainless steel.

Construction

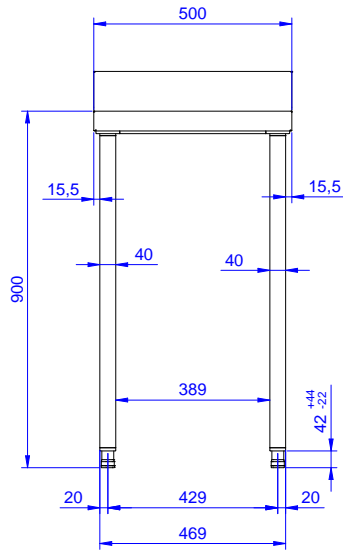
- 100 mm upstand with 8 mm radiused corner and 13 mm deep, designed to be used against a wall.
- 50 mm worktop in 304 AISI stainless steel, 10/10 in thickness with upturned edges and reinforced waterproof underpanel, incorporates a layer of sound deadening materials.
- Square section legs and 40 mm height-adjustable feet in 304 AISI stainless steel.
- Table top slots into legs without using screws to facilitate installation.
- 40 mm-thick lower shelf (available as optional accessory on some models) slots easily into place at a height of 200 mm from the floor. Lower shelf is compulsory to install the chest of drawers.

Optional Accessories

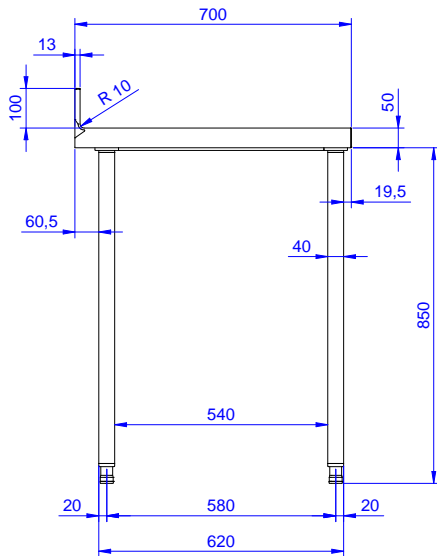
- Set of 4 wheels (2 with brake) PNC 855150
d. 100mm for tables and sinks
(total height on wheels= 993 mm)
- Lower shelf for 500 mm tables PNC 855368
and sinks
- Floor fastening kit for 2 square PNC 865386
legs

APPROVAL: _____

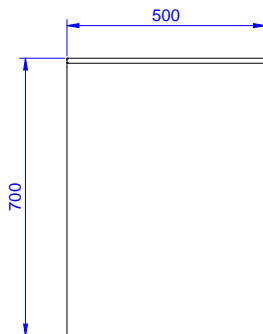
Front



Side



Top



Key Information:

External dimensions, Width:

133227 (TG500MHBN) 500 mm

External dimensions, Depth:

700 mm

External dimensions, Height:

1000 mm

Upstand Dimensions, Height:

100 mm

Upstand Dimensions, Depth:

13 mm

Upstand Dimensions, Radius:

R=8

Worktop thickness:

50 mm

Net weight:

18 kg